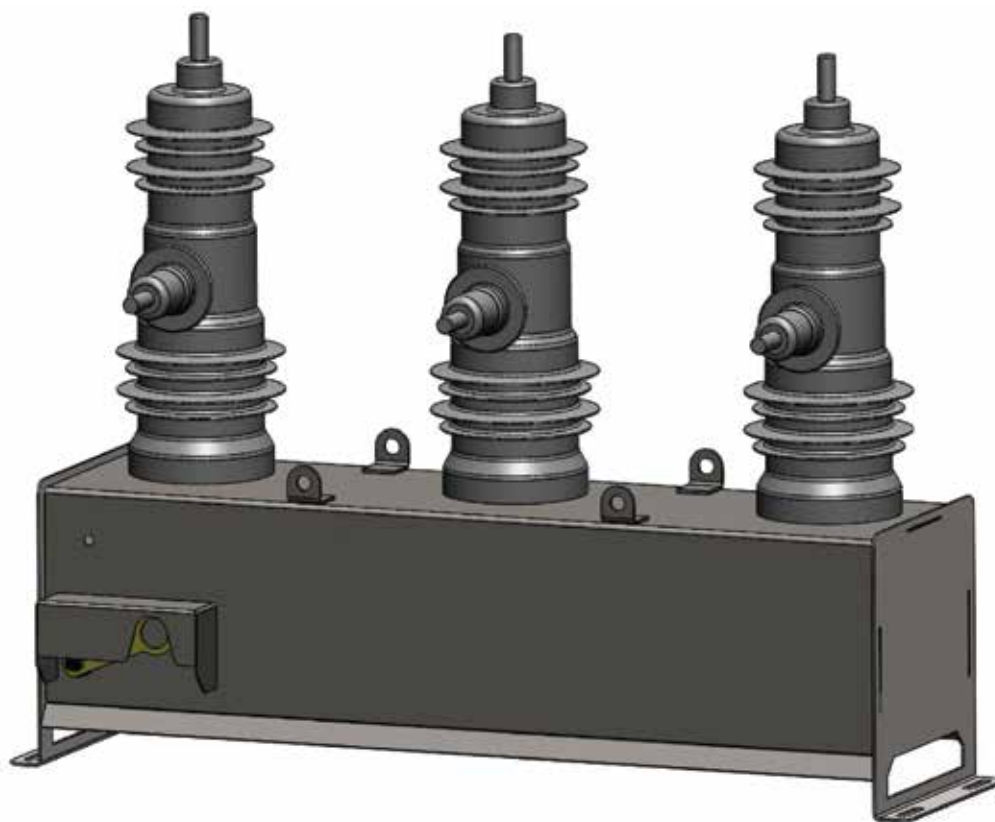




OUTDOOR VACUUM CAPACITOR SWITCH

OUTDOOR VACUUM CAPACITOR SWITCH / MODEL SEI-SVC-15 / 15.5KV / 630A



SALIENT FEATURES

- Silicon & Epoxy material used providing excellent insulation.
- Magnetic Actuator with fully sealed Vacuum Interrupter.
- High mechanical & electrical life.
- Very high reliability because of very few moving parts.
- A reliable weatherproofing arrangement of the HV section.
- Gas and Oil free.
- Compact & Light weight design for transportation & installation.
- Ultra-Flexible Installation.
- 125V or 240V operation.
- Drop-in replacement for Oil switches.

TECHNICAL DETAILS

CHARACTERISTICS	VALUE	CHARACTERISTICS	VALUE
RATED VOLTAGE	15.5kV	RATED MAKING CURRENT	25kAp
RATED CURRENT	630A	DEGREE OF PROTECTION	IP55
CAP. SWITCHING CURRENT	200A	DISTANCE - TERMINAL TO TERMINAL	564mm
POWER FREQUENCY WITHSTAND VOLTAGE	36kV rms	DISTANCE - TERMINAL TO GROUND	499mm
IMPULSE WITHSTAND VOLTAGE	95kVp	HEIGHT	855.5 ^{±10} mm
FREQUENCY	50Hz/60Hz	WEIGHT	102kg
RATED SHORT TIME WITHSTAND CURRENT	10kA for 1 second		

